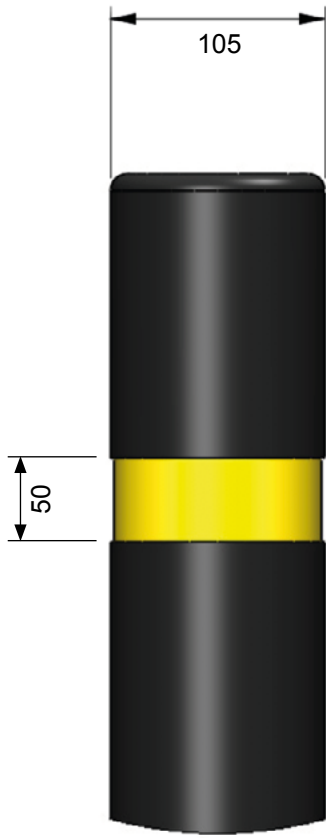
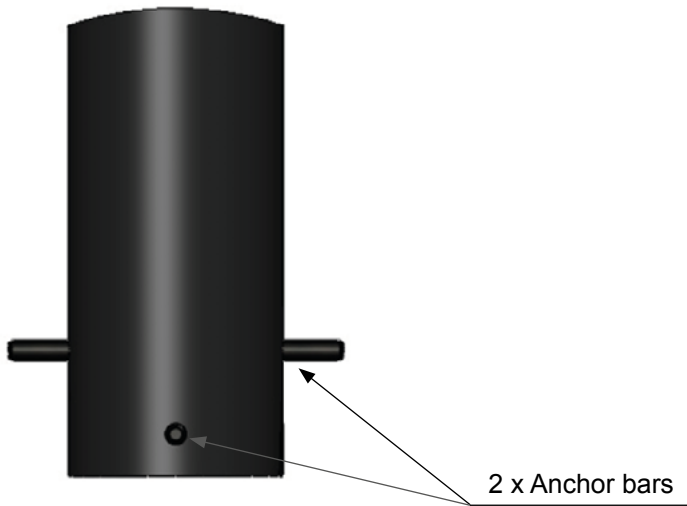
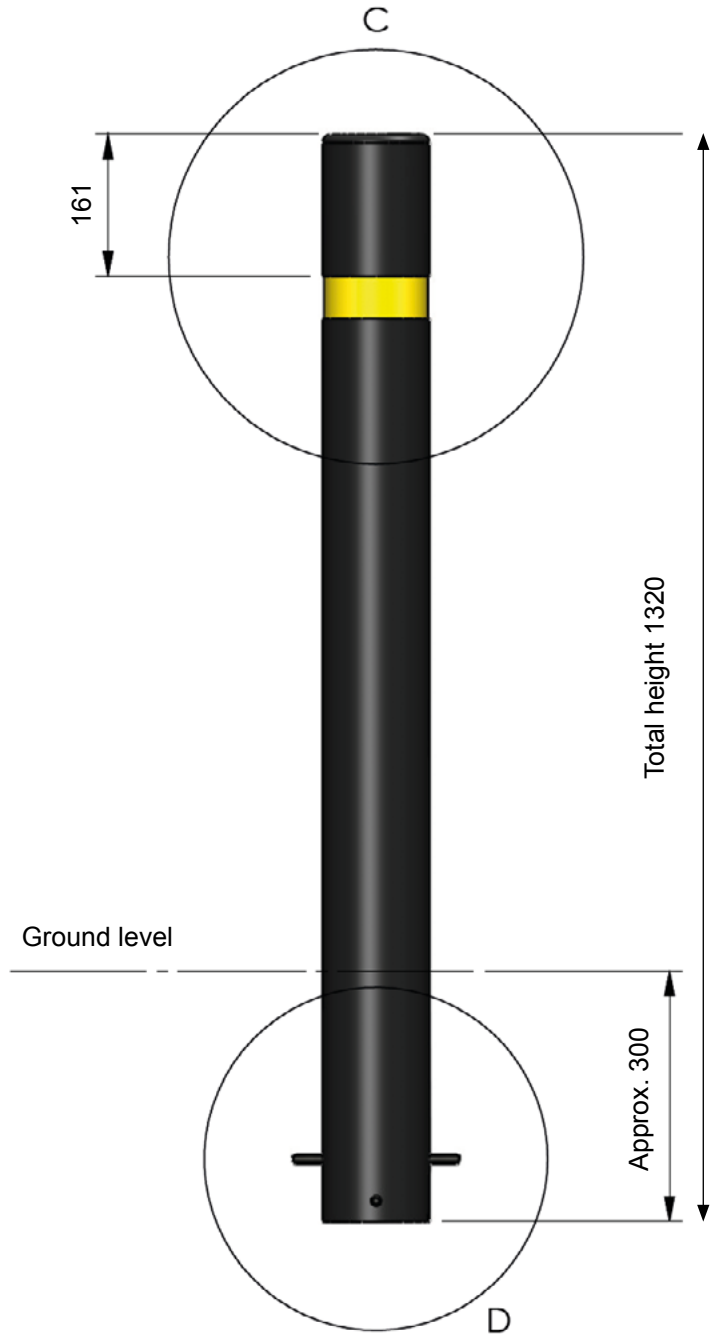


# Impact Flex 105

Weight 3 kg



DETAIL C

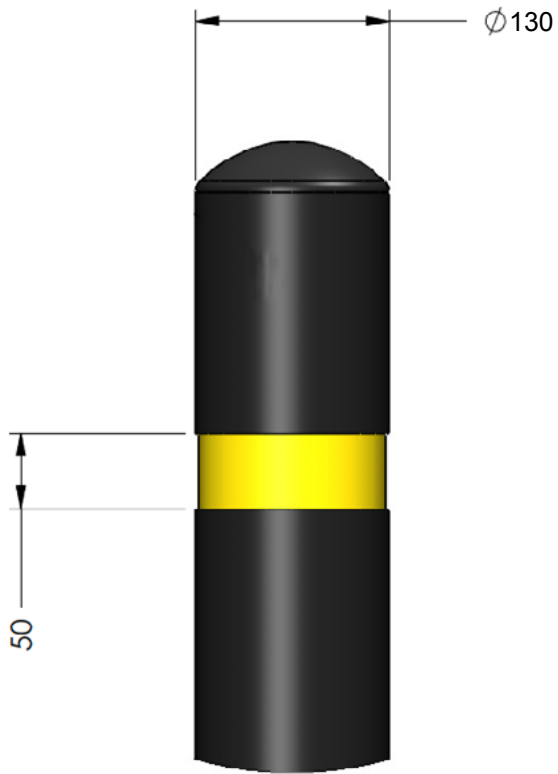


DETAIL D

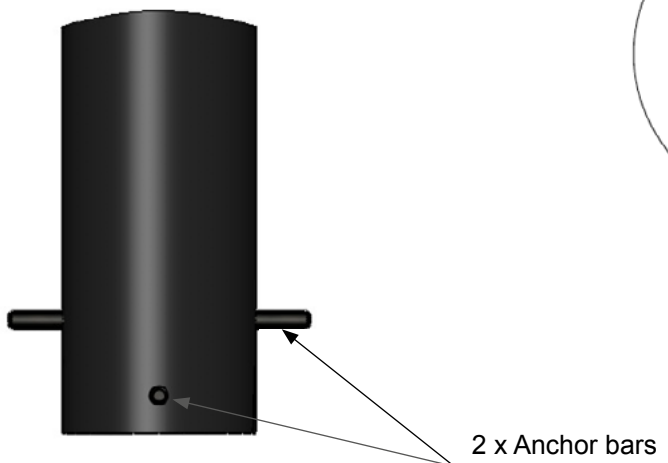
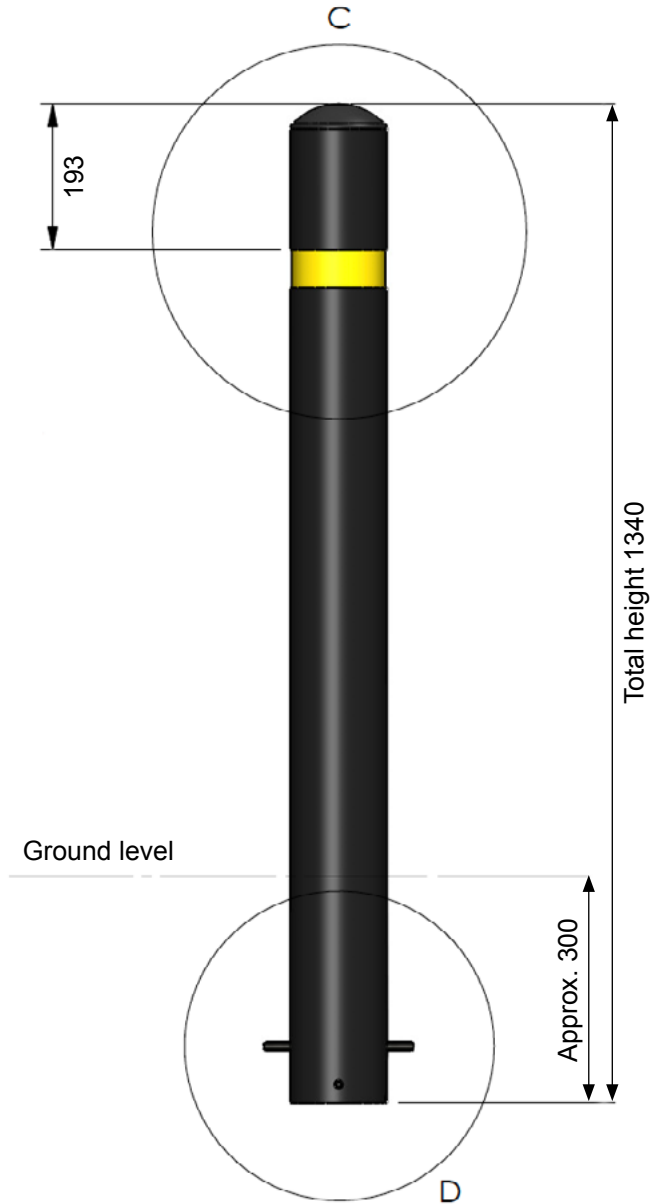
2 x Anchor bars

# Impact Flex 130

Weight 7 kg



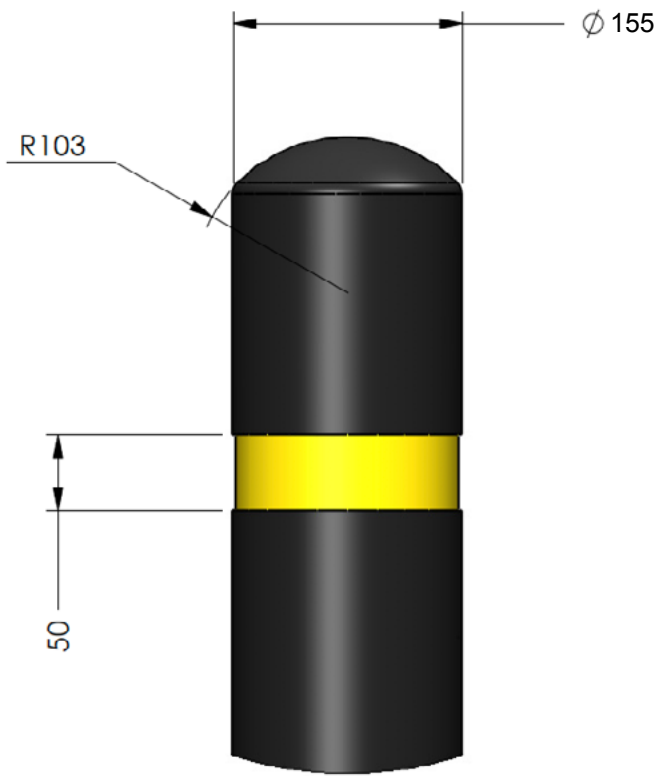
DETAIL C



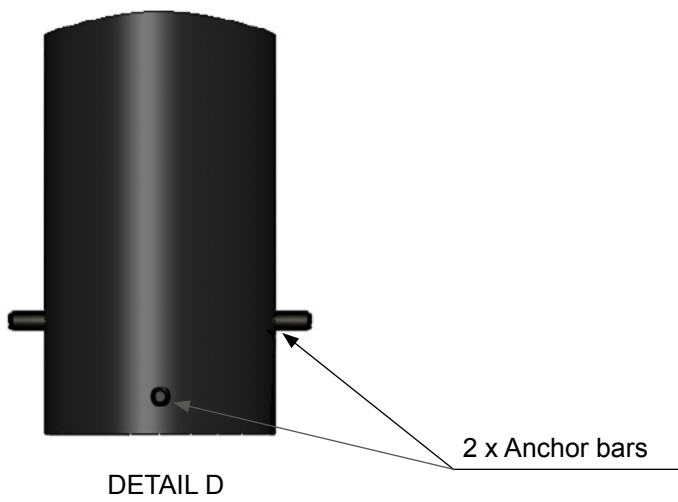
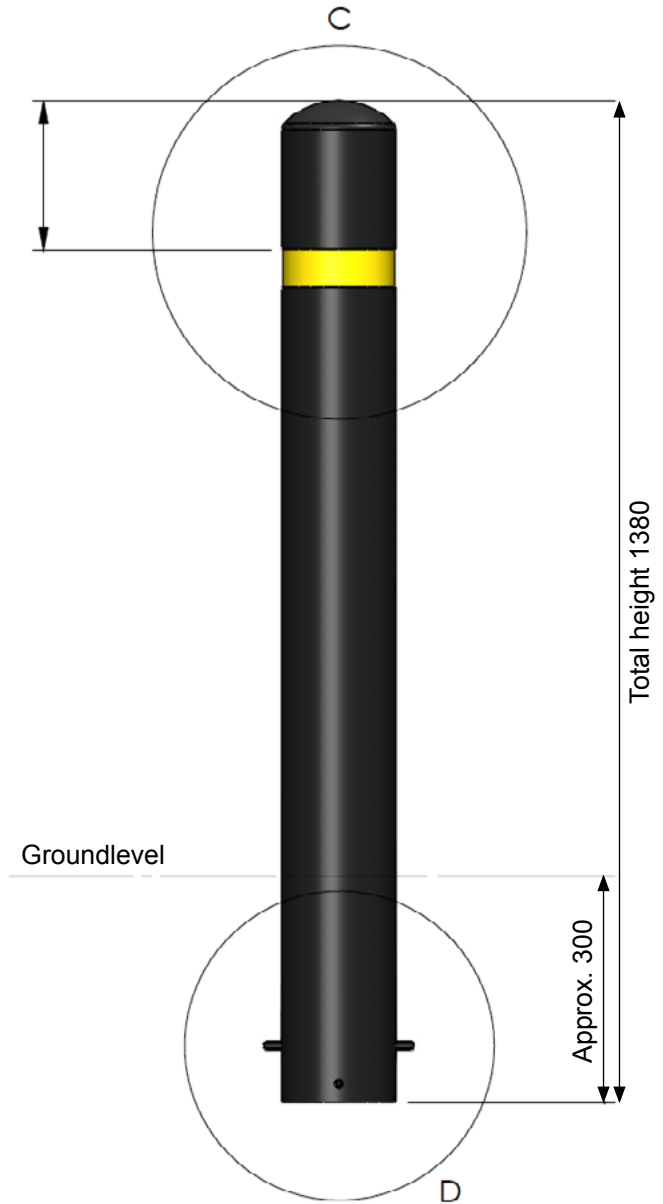
DETAIL D

# Impact Flex 155

Weight 10 kg



DETAIL C



DETAIL D

2 x Anchor bars

# Manchester Flex

Weight 10,5 kg

